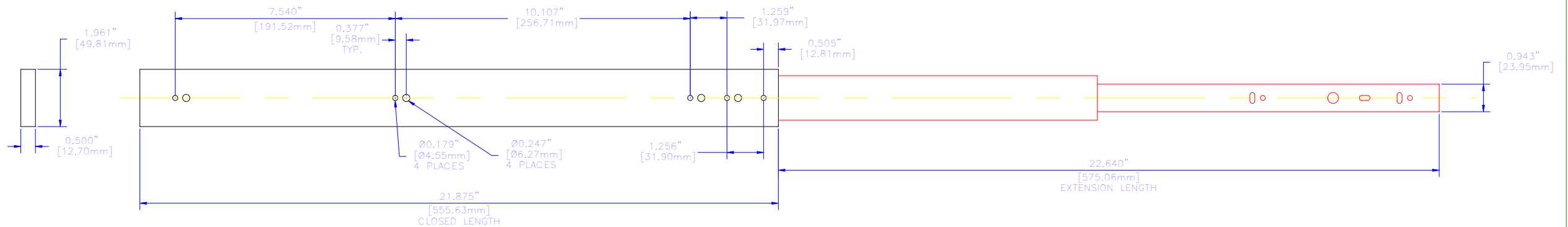
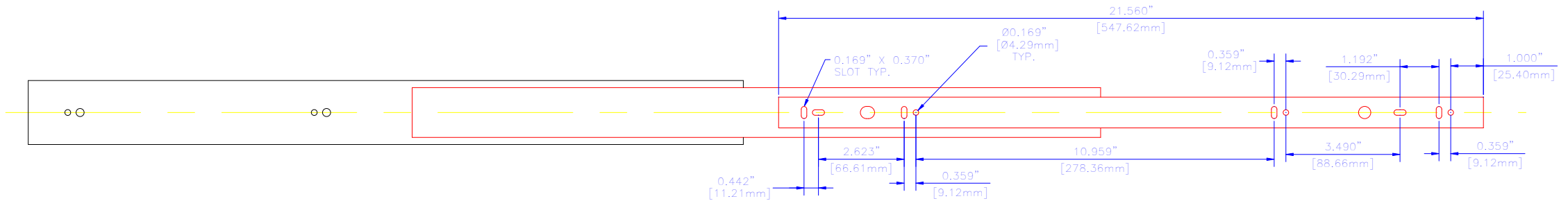


NOTES

Long life ball bearing slides.  
 Sold in pairs.  
 Weight limit 120 Lbs.  
 Comes with assembly hardware, two slides, and two rail brackets.

INSIDE VIEW



OUTSIDE VIEW

For the best fit print on legal size paper.


THIS DRAWING IS PROPRIETARY INFORMATION OF HAMMOND MFG. CO. LTD. NOT TO BE USED WITHOUT EXPRESSED WRITTEN PERMISSION OF HAMMOND MFG. CO. LTD.

|    |     |                      |      |          |     |
|----|-----|----------------------|------|----------|-----|
| △  | N/A | REVISED SLOT PATTERN | ---- | 03/31/03 | MJM |
| △  | N/A | RELEASE              | ---- | 06 13 02 | MJM |
| Re | EC  | Description          |      | Dat      | B   |

Unless otherwise specified dimensions are in inches  
 Tolerances are:

|        |         |
|--------|---------|
| .X     | ± .1    |
| .XX    | ± .06   |
| .XXX   | ± .030  |
| .XXXX  | ± .0015 |
| Holes  | ± .0010 |
| Angles | ± .5°   |

|       |              |
|-------|--------------|
| Dw    | M. MERCER    |
| Dat   | 06 13 02     |
| Ch    | ---          |
| Mat   | PLATED STEEL |
| Sheet | 1 of 1       |


**HAMMOND MANUFACTURING CO. LTD.**  
 Electronics Group, Waterloo, Ont. - Cheektowaga, NY

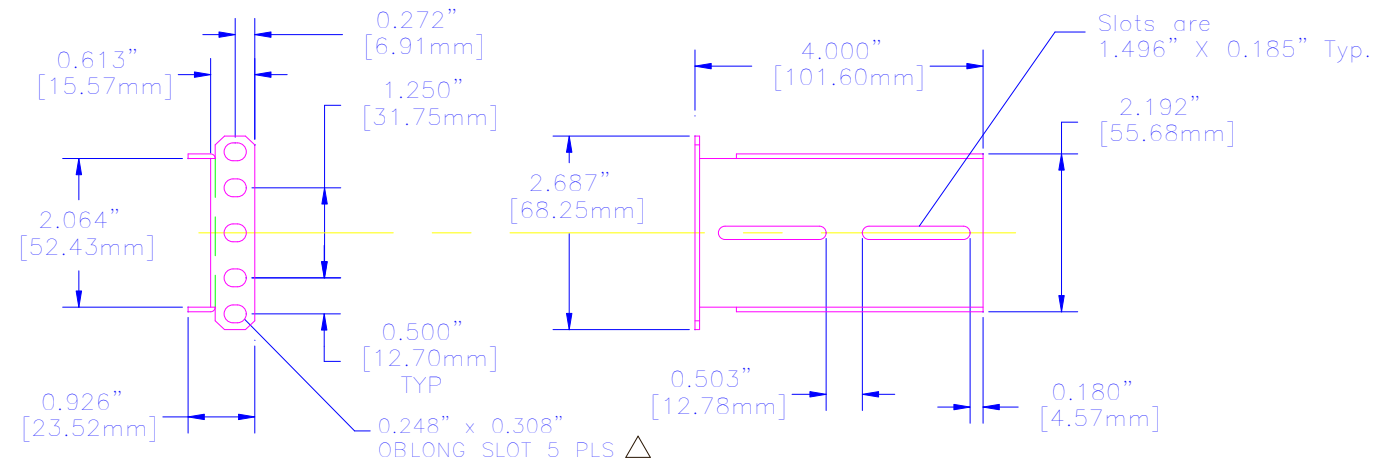
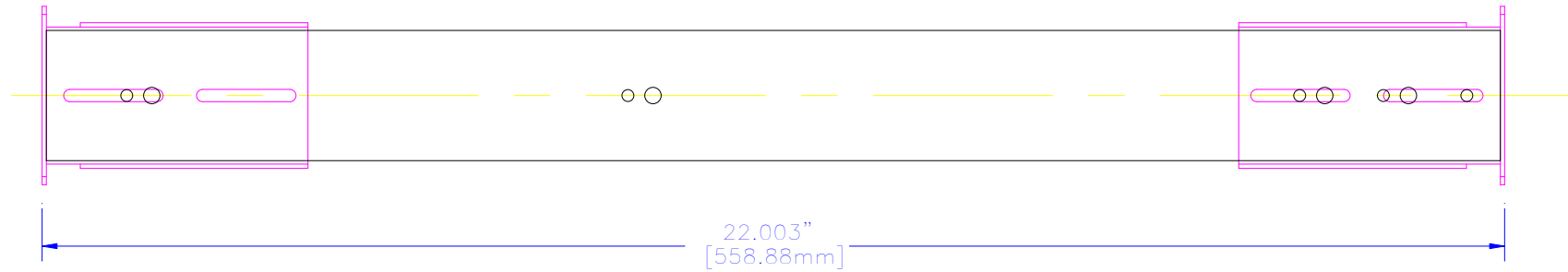
**HAMMOND RSLIDE SERIES  
 SLIDED**

Part# RSLIDE22      Dwg RSLIDE22/B

NOTES

Long life ball bearing slides.  
 Sold in pairs.  
 Weight limit 120 Lbs.  
 Comes with assembly hardware, two slides, and two rail brackets.

ASSEMBLED VIEW



SLIDE RAIL MOUNT BRACKETS

For the best fit print on legal size paper.

THIS DRAWING IS PROPRIETARY INFORMATION OF HAMMOND MFG. CO. LTD. NOT TO BE USED WITHOUT EXPRESSED WRITTEN PERMISSION OF HAMMOND MFG. CO. LTD.

|    |     |                      |      |          |     |
|----|-----|----------------------|------|----------|-----|
| △  | N/A | REVISED SLOT PATTERN | ---- | 03/31/03 | MJM |
| △  | N/A | RELEASE              | ---- | 06 13 02 | MJM |
| Re | EC  | Description          |      | Dat      | B   |

Unless otherwise specified dimensions are in inches  
 Tolerances are:

|        |         |
|--------|---------|
| .X     | ± .1    |
| .XX    | ± .06   |
| .XXX   | ± .030  |
| .XXXX  | ± .0015 |
| Holes  | ± .0010 |
| Angles | ± .5°   |

|       |              |
|-------|--------------|
| Dw    | M. MERCER    |
| Dat   | 06 13 02     |
| Ch    | ---          |
| Mat   | PLATED STEEL |
| Sheet | 1 of 1       |

**HAMMOND MANUFACTURING CO. LTD.**  
 Electronics Group, Waterloo, Ont. - Cheektowaga, NY

**HAMMOND RSLIDE SERIES**  
**SLIDED**

Part# RSLIDE22      Dwg RSLIDE22/B